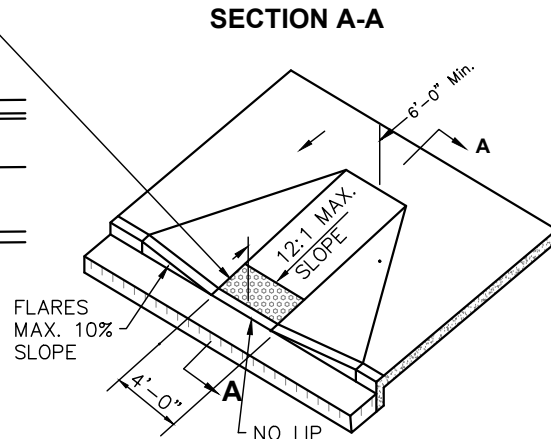
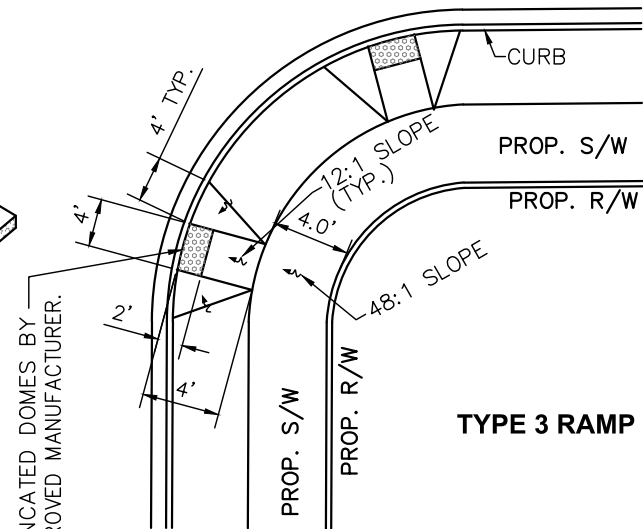


**TYPE 1 RAMP DETAIL**



**TYPE 2 RAMP DETAIL**



**TYPE 3 RAMP DETAIL**

**NOTES**

- A. CITY TO SPECIFY TYPE 1, 2, OR 3 CURB RAMP.
- B. ANY COMBINATION OF SIDE SLOPES ON OPPOSITE SIDES OF A RAMP MAY BE USED TO BEST FIT THE SITE CONDITIONS.
- C. THE MINIMUM RAMP LENGTH IS 6' FROM BACK OF A 6" CURB AND MAY BE INCREASED WHERE FEASIBLE TO OBTAIN A FLATTER RAMP SLOPE OR TO BETTER BLEND WITH THE WALK CONFIGURATION.
- D. WALK THICKNESS IN THE RAMP SLOPES SHALL BE 4" MINIMUM OR THICKER AS NECESSARY TO MATCH ADJACENT WALK THICKNESS.
- E. CURB RAMPS SHALL MEET AND BE FINISHED TO AMERICANS WITH DISABILITIES ACT (A.D.A.) STANDARDS.
- F. TEXTURE OF CONCRETE SURFACE SHALL BE OBTAINED BY COURSE BROOMING TRAVERSE TO THE RAMP SLOPES AND SHALL BE ROUGHER THAN ADJACENT WALK.
- G. CURB RAMPS SHALL MEET THE REQUIREMENTS OF ODOT ITEM 608 UNLESS OTHERWISE SPECIFIED WITHIN.
- H. CONCRETE SHALL BE ODOT CLASS QC-1P (4000 PSI, 600 LB/CY CEMENT). PROPORTIONING OPTIONS 1, 2, AND 3 NOT ALLOWED.
- I. CONCRETE SHALL CONTAIN 6% ± 1% OF TOTAL AIR.
- J. FOR RECONSTRUCTION JOBS, THE CURB RAMPS WILL HAVE TO BE ADDRESSED BASED ON THE EXISTING CONDITIONS.

- K. TRUNCATED DOME SPECIFICATIONS:  
INSTALL DETECTABLE WARNINGS (TRUNCATED DOMES) FOR A DISTANCE OF 24" FROM THE BACK OF CURB FOR THE ENTIRE WIDTH OF THE RAMP OPENING WHERE IT IS FLUSH WITH THE PAVEMENT.  
-ACCEPTABLE MANUFACTURER AND PRODUCT IS: EAST JORDAN IRON WORKS #7005 OR EQUIVALENT, UNLESS APPROVED BY THE ENGINEER IN WRITING. COLOR SHALL BE RUSTIC RED #30.



**CURB RAMPS**

REVISIONS: 08-23-04 06-25-07 10-12-09 07-22-13	DATE APPROVED: 06/03/2020 PAGE No. 300-9
--	--