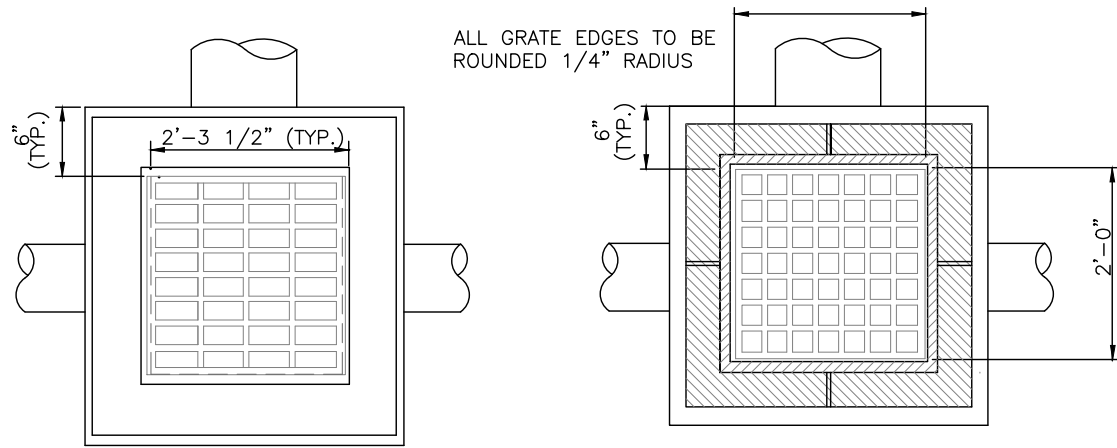
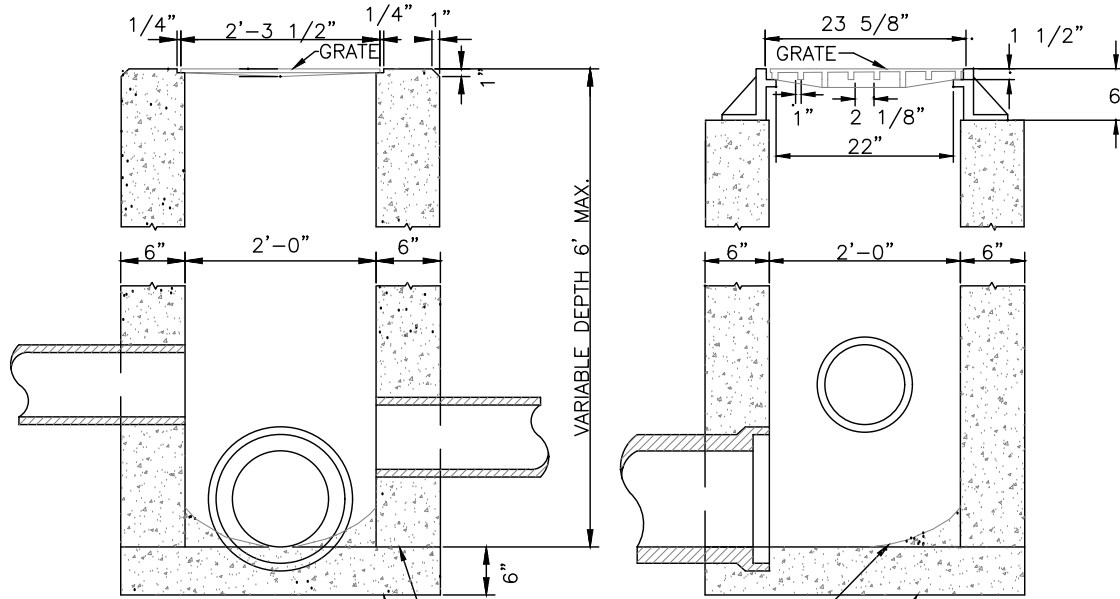


ALL GRATE EDGES TO BE  
ROUNDED 1/4" RADIUS



**PLAN**

**PLAN**



**NONPAVED AREAS**

**PAVED AREAS**

BOTTOM SLAB MAY BE CAST  
SEPARATELY AND THE OUTLET  
PIPE PLACED ON TOP OF IT WITH  
THE BOTTOM SHAPED TO DRAIN.

PERMISSIBLE CONSTRUCTION JOINT

**NOTES**

A. LOCATION AND ELEVATIONS WHEN GIVEN ON THE PLANS IS TOP CENTER OF THE GRATE. WHEN SIDE OPENINGS ARE PROVIDED, ELEVATION SHALL BE THE FLOW LINE OF THE SIDE INLET.

B. GRATE FOR NONPAVED AREAS SHALL BE EAST JORDAN IRON WORKS 5110 TYPE M3 OR NEENAH CATALOG NO. R-4859-C OR EQUIVALENT.

C. GRATE ELEVATION TO BE PLACED 4" TO 6" BELOW NORMAL DITCH RETURNING TO NORMAL 10' EACH SIDE OF BASIN.

D. PRECAST CONSTRUCTION IS REQUIRED, UNLESS OTHERWISE APPROVED, AND CONCRETE SHALL MEET THE REQUIREMENTS OF 706.13 WITH 6±+2% AIR VOID CONTENT IN THE HARDENED CONCRETE. KNOCKOUTS SHALL BE PROVIDED IN PRECAST CONSTRUCTION. PRECAST WALLS SHALL HAVE A SUFFICIENT AMOUNT OF REINFORCEMENT TO PERMIT SHIPPING AND PLACEMENT WITHOUT DAMAGE.

E. CATCH BASINS NOT PERMITTED IN PAVEMENT AREAS UNLESS USING A FRAME AND GRATE EQUIVALENT TO NEENAH CATALOG NO. R-3405 OR EAST JORDAN IRON WORKS NO. 5250.

F. FOR PIPES OVER 18" REFER TO ODOT CATCH BASIN 2-3 AND 2-4. FOR SIDE INLETS REFER TO ODOT CATCH BASIN 2-2-A.

G. CARE SHALL BE TAKEN WHEN CONNECTING TO AN EXISTING CATCH BASIN TO KEEP OPENING AS MINIMAL AS POSSIBLE. IF POSSIBLE, SAW CUT OR USE ROTARY HAMMER FOR OPENING TO MINIMIZE DAMAGE TO CATCH BASIN. PIPE TO INTRUDE INTO CATCH BASIN 1" ONLY AND PIPE MUST BE CUT PARALLEL TO CATCH BASIN. USE NONSHRINK GROUT AROUND PIPE TO SEAL BETWEEN PIPE AND CATCH BASIN.



**CITY OF  
SIDNEY**

**TYPE 2-2-B CATCH BASIN**

REVISIONS:  
07-22-13

DATE  
APPROVED:  
06/03/2020

PAGE No.  
600-2