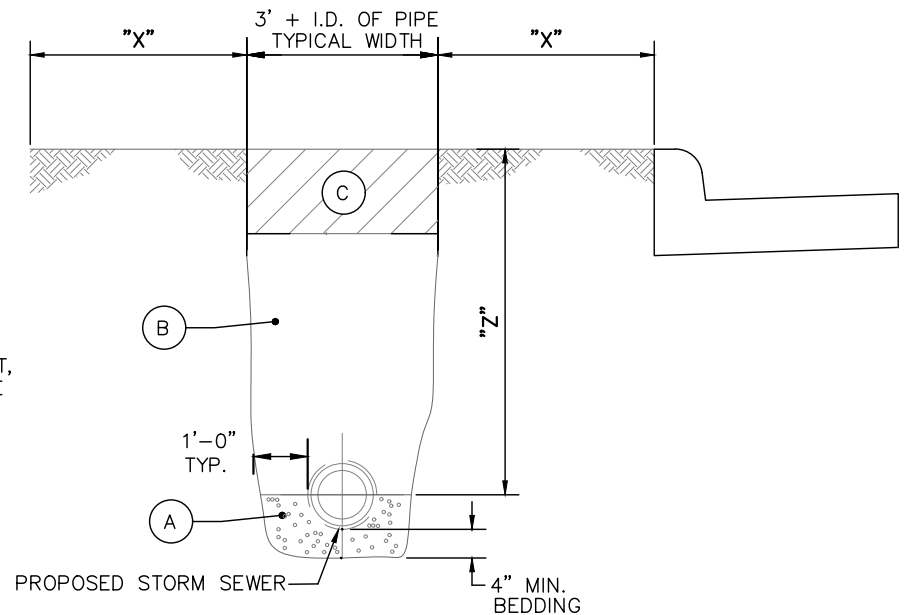


**STORM SEWER TRENCH DETAIL**  
(NON-RIGID PIPE)



**STORM SEWER TRENCH DETAIL**  
(RIGID PIPE) RCP OR DUCTILE

"X" = DISTANCE FROM EDGE OF TRENCH TO EDGE OF CLOSEST PROPOSED OR EXISTING PAVEMENT, CURB, DRIVEWAYS, ALLEYS, STONE AREA OR WALKS.

"Z" = DISTANCE FROM TOP OF BEDDING TO FINISH SURFACE.

**TRENCH DETAIL NOTES**

A. GRANULAR BEDDING SHALL BE CRUSHED STONE OR GRAVEL, ODOT 603 TYPE 3 (#57 OR #67), OR OTHER APPROVED EQUIVALENT.

B. ALL TRENCHES WHERE "X" IS GREATER THAN "Z" FROM PROPOSED OR EXISTING PAVEMENT, CURB, DRIVEWAYS, ALLEYS, STONE AREA OR WALKS CAN BE COMPACTED EXISTING NATIVE MATERIAL IN 12" MAXIMUM LIFTS OR AS APPROVED BY THE CITY. NO MATERIAL SHALL BE USED FOR BACK FILLING THAT CONTAINS STONE, ROCKS, ETC., GREATER THAN 4" DIAMETER.

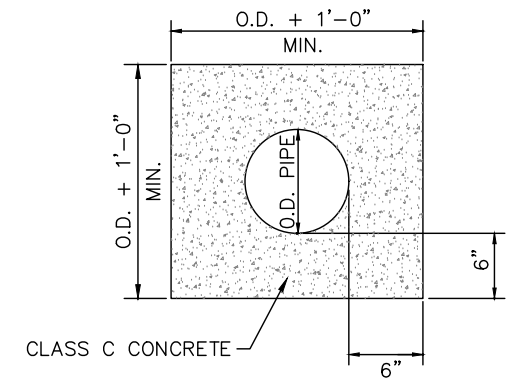
ALL TRENCHES WHERE "Z" IS GREATER THAN "X" FROM PROPOSED OR EXISTING PAVEMENT, CURB, DRIVEWAYS, ALLEYS, STONE AREA OR WALKS SHALL BE COMPACTED WITH GRANULAR BACKFILL MATERIAL ODOT 603 TYPE 1 OR TYPE 2, IN 6" MAXIMUM LIFTS OR LOW STRENGTH MORTAR BACKFILL ODOT ITEM 613 TYPE 1 UNTIL THE TOP OF THE COMPACTED GRANULAR BACKFILL OR LOW STRENGTH MORTAR BACKFILL IS HIGH ENOUGH WHERE "X" IS GREATER THAN "Z".

A DENSITY TEST ON GRANULAR BACKFILL OF 98% OF ASTM D698 STANDARD PROCTOR CURVE MAY BE REQUIRED TO BE PERFORMED BY A COMMERCIAL TESTING LAB SATISFACTORY TO THE CITY.

C. OFF-PAVEMENT AREAS SHALL BE PROVIDED WITH A MINIMUM OF 6" OF TOPSOIL OVER THE COMPACTED MATERIAL AND THEN SEEDED AND MULCHED PER ODOT ITEM 659.

IN-PAVEMENT AREAS SHALL FOLLOW TYPICAL PAVEMENT RESTORATION DETAILS SHOWN ON PAGE 300-19.

D. THE OPEN ENDS OF ALL PIPES SHALL BE PLUGGED TO THE APPROVAL OF THE CITY BEFORE LEAVING THE WORK FOR THE NIGHT.



**CONCRETE ENCASEMENT DETAIL**



**STORM SEWER TRENCH DETAILS**

REVISIONS:	DATE APPROVED:
	06/03/2020
	PAGE No.
	600-9