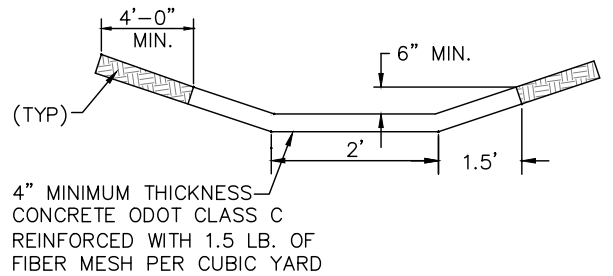


SEEP COLLAR

POUR BOTTOM OF COLLAR NEAT IN 12" OF EMBANKMENT CLAY. FOR PIPES 18" AND OVER

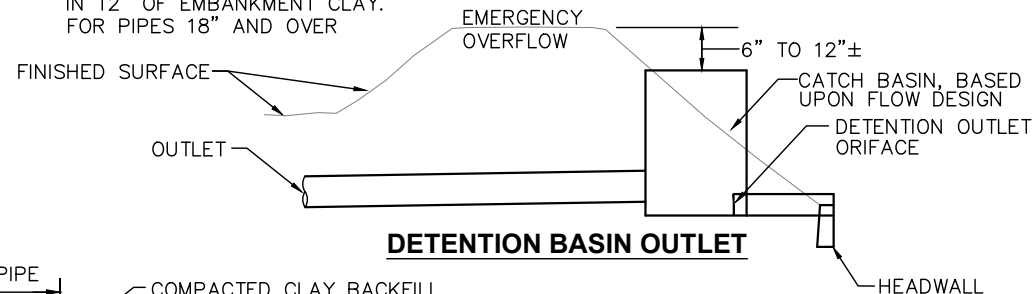
COMPACTED CLAY BACKFILL. BACKFILL OPERATIONS SHALL BE PERFORMED BY HAND TAMPING



PAVED CONCRETE CHANNEL DETAIL

NOTES

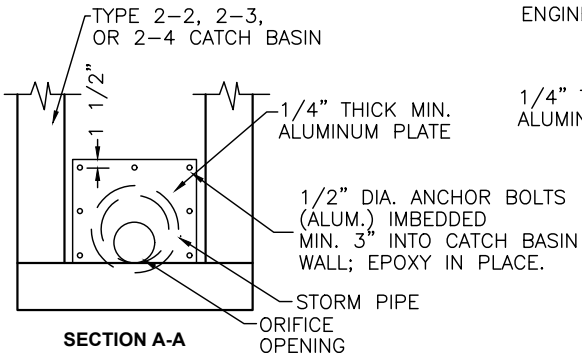
- A. ALL DETENTION BASINS WITH SLOPES LESS THAN 1% REQUIRE CONCRETE CHANNEL.
- B. DIFFERENT SHAPE OR SIZE OF CONCRETE CHANNEL MAY BE REQUIRED DEPENDING ON DESIGN, AS APPROVED BY THE CITY ENGINEER.
- C. ALL WORK SHALL BE DONE IN ACCORDANCE WITH CITY SPECIFICATIONS.
- D. BOTTOM OF DRAINAGE DITCH SHALL BE FORMED BEFORE PLACING CONCRETE. ALL FORMS SHALL BE SET TO GRADE AND ALIGNMENT AND BE INSPECTED AND APPROVED BY THE CITY BEFORE POURING CONCRETE.
- E. RIP RAP SHALL BE USED ON EMERGENCY OVERFLOWS WHEN THE VELOCITY OF WATER WILL SCOUR THE SOIL, OR AS REQUIRED BY ENGINEER.



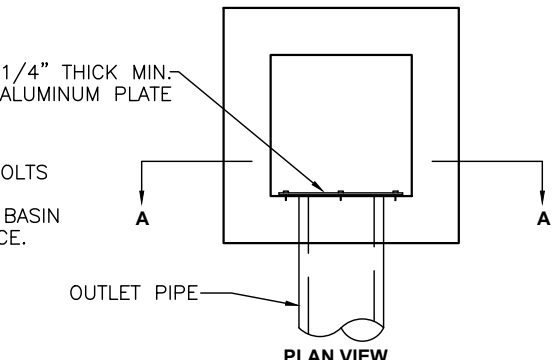
DETENTION BASIN OUTLET

NOTES

- A. EXTRA COMPACTION AND CARE SHALL BE TAKEN TO ENSURE WATER SEALING OF DIKE AND PROPER CLAY BEDDING OF PIPE.
- B. COMPACTION REQUIREMENTS SHALL BE 95% STANDARD MAXIMUM DRY WEIGHT DENSITY.
- C. THIS SHALL BE REQUIRED AT ALL PIPES ENTERING OR EXITING THE DETENTION BASIN.
- D. PAYMENT FOR THESE ITEMS SHALL BE INCIDENTAL TO ITEM 603.



SECTION A-A



PLAN VIEW

DETENTION/RETENTION OUTLET ORIFICE

CLAY TRENCH DETAIL THROUGH DETENTION BASIN



DETENTION-RETENTION BASIN DETAILS

REVISIONS:	DATE APPROVED: 06/03/2020
	PAGE No. 600-10