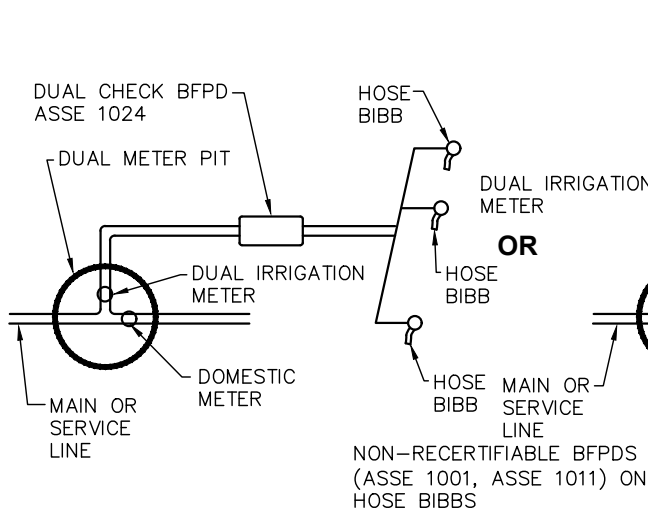
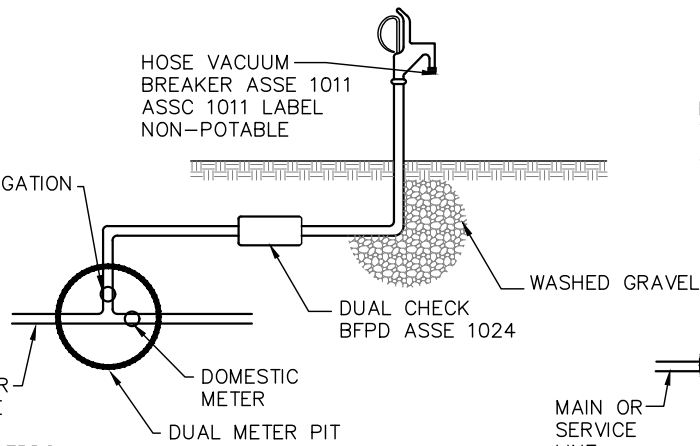


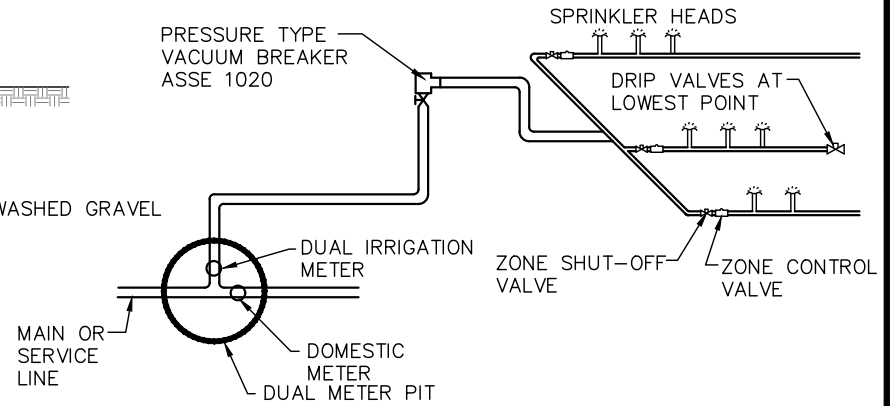
HOSE BIBB



YARD HYDRANT



SPRINKLER SYSTEM



CONDITIONS

- A. SHUT-OFF VALVES ARE ALLOWED DOWNSTREAM OF THE BFPD.
- B. THE PRESSURE TYPE VACUUM BREAKER MUST BE A MINIMUM OF 12" ABOVE THE HIGHEST SPRINKLER HEAD.

NOTES

- A. A DRAWING OF EACH PROPOSED IRRIGATION SYSTEM MUST BE APPROVED BY THE CITY AND SHELBY COUNTY HEALTH DEPARTMENT PRIOR TO CONSTRUCTION.
- B. IF IRRIGATION SYSTEM IS NONE OF THE ABOVE, USE A REDUCED PRESSURE BACKFLOW PREVENTER, (ASSE 1013), AFTER THE WATER METER.
- C. IRRIGATION CONNECTIONS MUST BE CONNECTED TO MAIN LINE BEFORE DOMESTIC METER AND CONNECTION. NO DEDUCT METER WILL BE ALLOWED.
- D. BACKFLOW PREVENTERS SHALL BE RE-CERTIFIABLE AND ACCESSIBLE. SHUT OFF VALVES ARE REQUIRED ON EACH SIDE OF THE METER.

YARD MAIN SYSTEM ARRANGEMENT

