

MANHOLE FRAME & LID
(SEE MISC. SANITARY MANHOLE
DETAIL 900-4 FOR CHIMNEY SEAL).

PRECAST ADJUSTING RING
2" MIN. AND 12" MAX. AND
LIMITED TO NO MORE THAN
TWO RINGS TO REACH THE
12" MAXIMUM

MANHOLE FRAME & LID

GROUT OR IF OUT OF
PAVEMENT, CONSEAL CS-102
SEALANT OR EQUIVALENT.

CONE SHALL BE ECCENTRIC
STANDARD TEE

"A"	"B"
8", 10", & 12"	8"
15" & 18"	10"
21" & 24"	12"

DROP CONNECTION MANHOLE

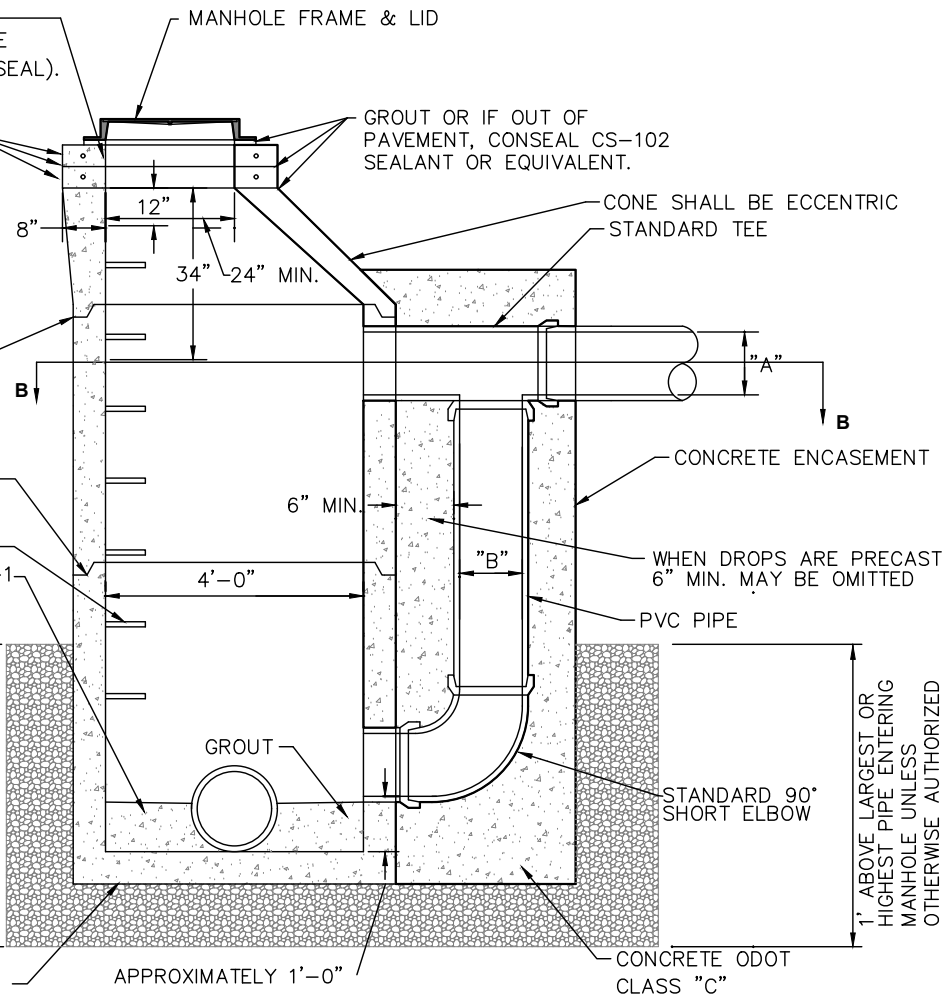
CRETEX OR EQUAL 9" WIDE
JOINT WRAPS TO ALL JOINTS
ON THE OUTSIDE OF THE
MANHOLE

RUBBER O-RING GASKETS

BASE SECTION ONLY
SEE STANDARD DRAWING 900-1
FOR BASE SECTION DETAIL

1' ABOVE LARGEST OR HIGHEST
PIPE ENTERING MH UNLESS
OTHERWISE AUTHORIZED

PRECAST BASE SECTION



CONCRETE ENCASEMENT

WHEN DROPS ARE PRECAST
6" MIN. MAY BE OMITTED

PVC PIPE

STANDARD 90°
SHORT ELBOW

CONCRETE ODOT
CLASS "C"

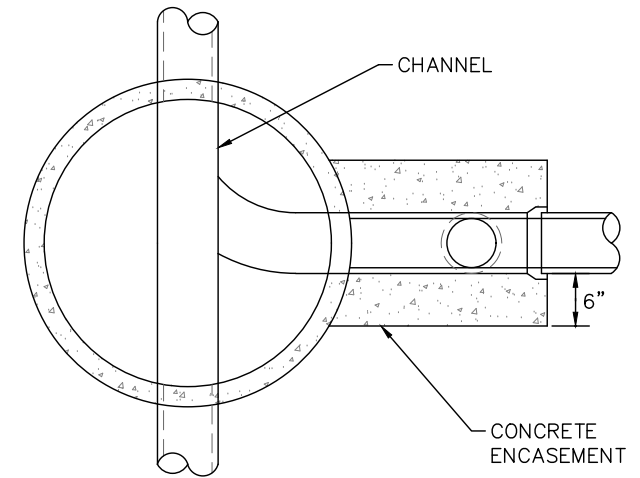
1' ABOVE LARGEST OR
HIGHEST PIPE ENTERING
MANHOLE UNLESS
OTHERWISE AUTHORIZED

NOTES

A. LOCATE THE CENTERLINE OF MANHOLE CONES OVER THE CENTERLINE OF THE MAIN SEWER WHENEVER POSSIBLE.

B. TYPE D MANHOLE SHALL BE USED WHERE THE DIFFERENCE IN INVERT ELEVATIONS IS GREATER THAN 2'-0".

C. ALL NOTES AND ASTM REFERENCES ON THE TYPE 3 SANITARY MANHOLE SHALL APPLY ON THE TYPE D SANITARY DROP MANHOLE.



SECTION B-B



TYPE D SANITARY DROP MANHOLE

REVISIONS: 10-12-09 07-22-13	DATE APPROVED: 06/03/2020
PAGE No. 900-2	