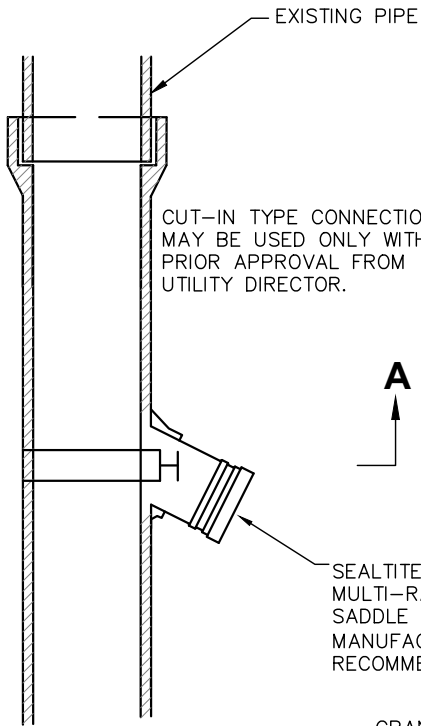


NOTES

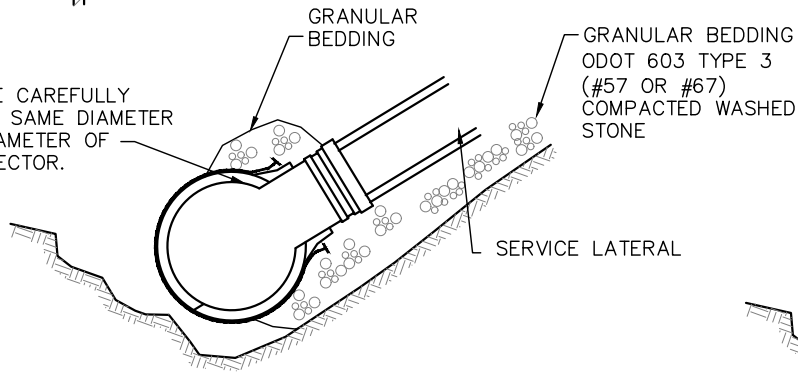
- A. A TEE MAY BE CUT IN OR SADDLE PLACED ONLY IF AN EXISTING LATERAL IS NOT PROVIDED.
- B. ALL SADDLES AND CUTTING IN TEES MUST BE INSPECTED PRIOR TO COVERING, AND THE HOLE IN THE EXISTING PIPE SHALL BE INSPECTED AND APPROVED PRIOR TO INSTALLATION.
- C. OTHER SADDLE TYPES MAY BE APPROVED ON CASE-BY-CASE BASIS BY THE UTILITY DIRECTOR.
- D. ON LOW FLOW AND PVC PIPE SDR 35 USE CUT IN TEE.
- E. NO SADDLES ARE TO BE INSTALLED ON CLAY OR CONCRETE SANITARY MAINS WITHOUT PRIOR APPROVAL FROM THE CITY ENGINEER.



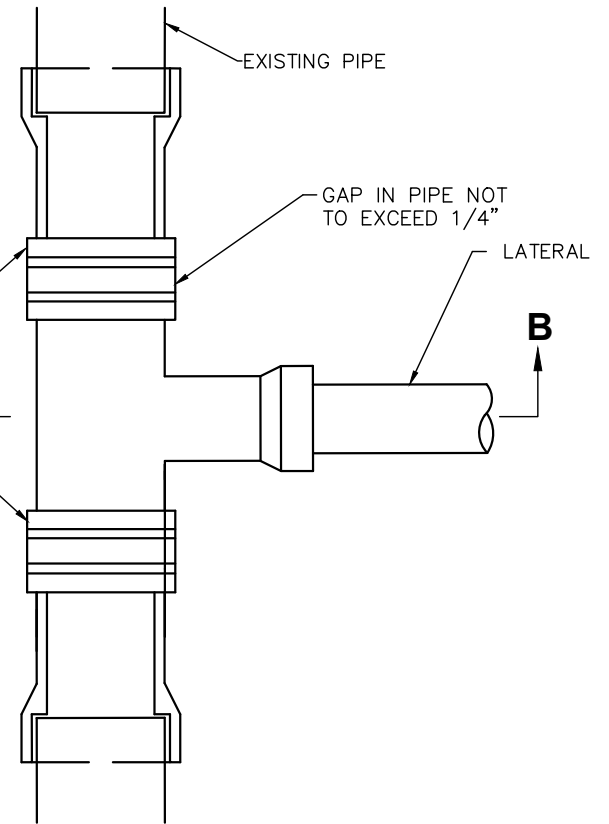
CUT-IN TYPE CONNECTION MAY BE USED ONLY WITH PRIOR APPROVAL FROM UTILITY DIRECTOR.

SEALTITE TYPE "E" MULTI-RANGE WYE SEWER SADDLE INSTALLED AS PER MANUFACTURER'S RECOMMENDATION

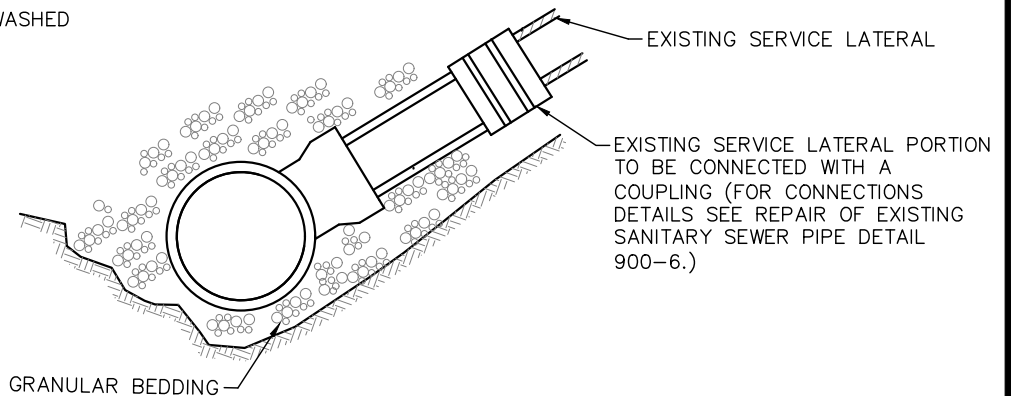
HOLE SHALL BE CAREFULLY CORED AND BE SAME DIAMETER AS OUTSIDE DIAMETER OF LATERAL CONNECTOR.



SECTION A-A



COUPLING (FOR CONNECTIONS DETAIL SEE REPAIR OF EXISTING SANITARY SEWER PIPE DETAIL 900-6).



SECTION B-B



**CITY OF
SIDNEY**

SANITARY SEWER SADDLE DETAILS

REVISIONS:
10-12-09
07-22-13

DATE
APPROVED:
06/03/2020

PAGE No.
900-8