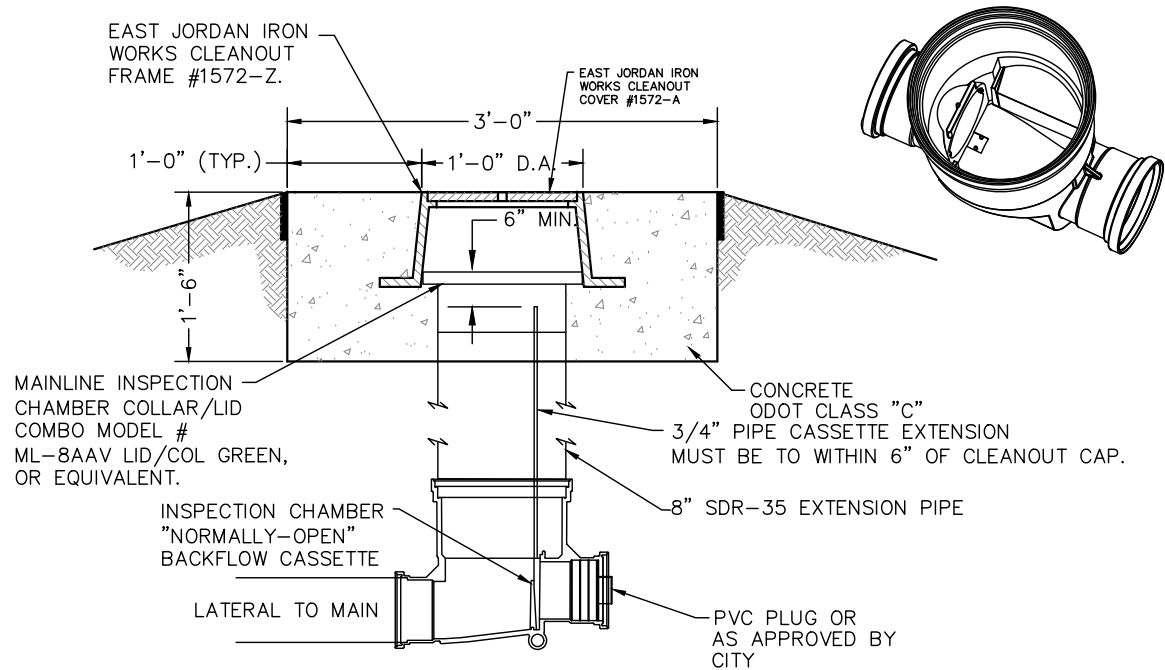


INSPECTION VALVE/TEE AND CLEANOUT COVER IS TO BE USED IN ALL APPLICATIONS INCLUDING BUT NOT LIMITED TO GRASS, CONCRETE, STONE, AND ASPHALT AREAS.



**PRIVATE CLEANOUT DETAIL**

AT SANITARY LATERALS ONLY

THIS CLEANOUT IS TO BE USED ON ALL NEW DEVELOPMENTS DURING CONSTRUCTION OF THE SANITARY LATERAL FROM THE MAIN SEWER TO THE PROPERTY LINE.  
 CAST IRON CLEANOUT COVER SHALL BE USED IN ALL APPLICATIONS WHERE CLEANOUT WILL BE SUBJECT TO VEHICULAR TRAFFIC.